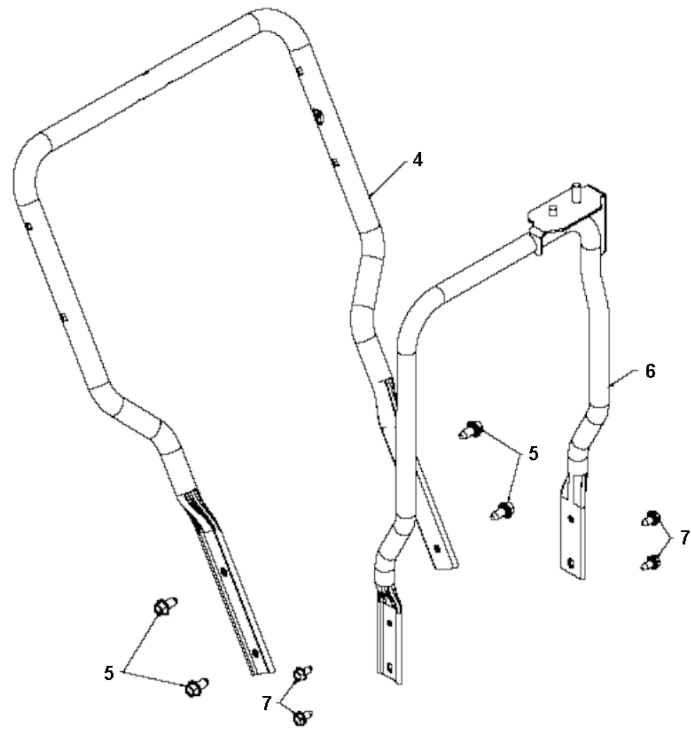
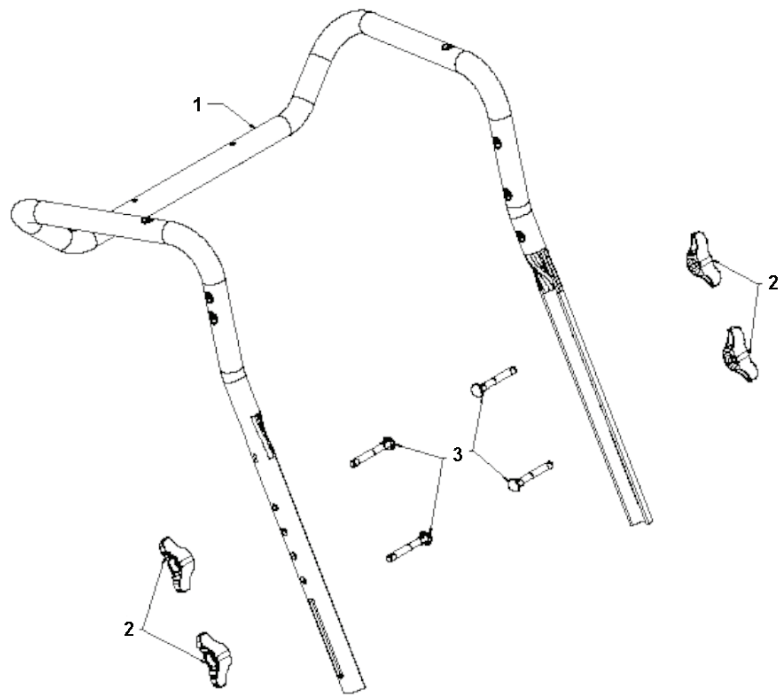


RESERVDELSKATALOG
: HUSQVARNA ST 224

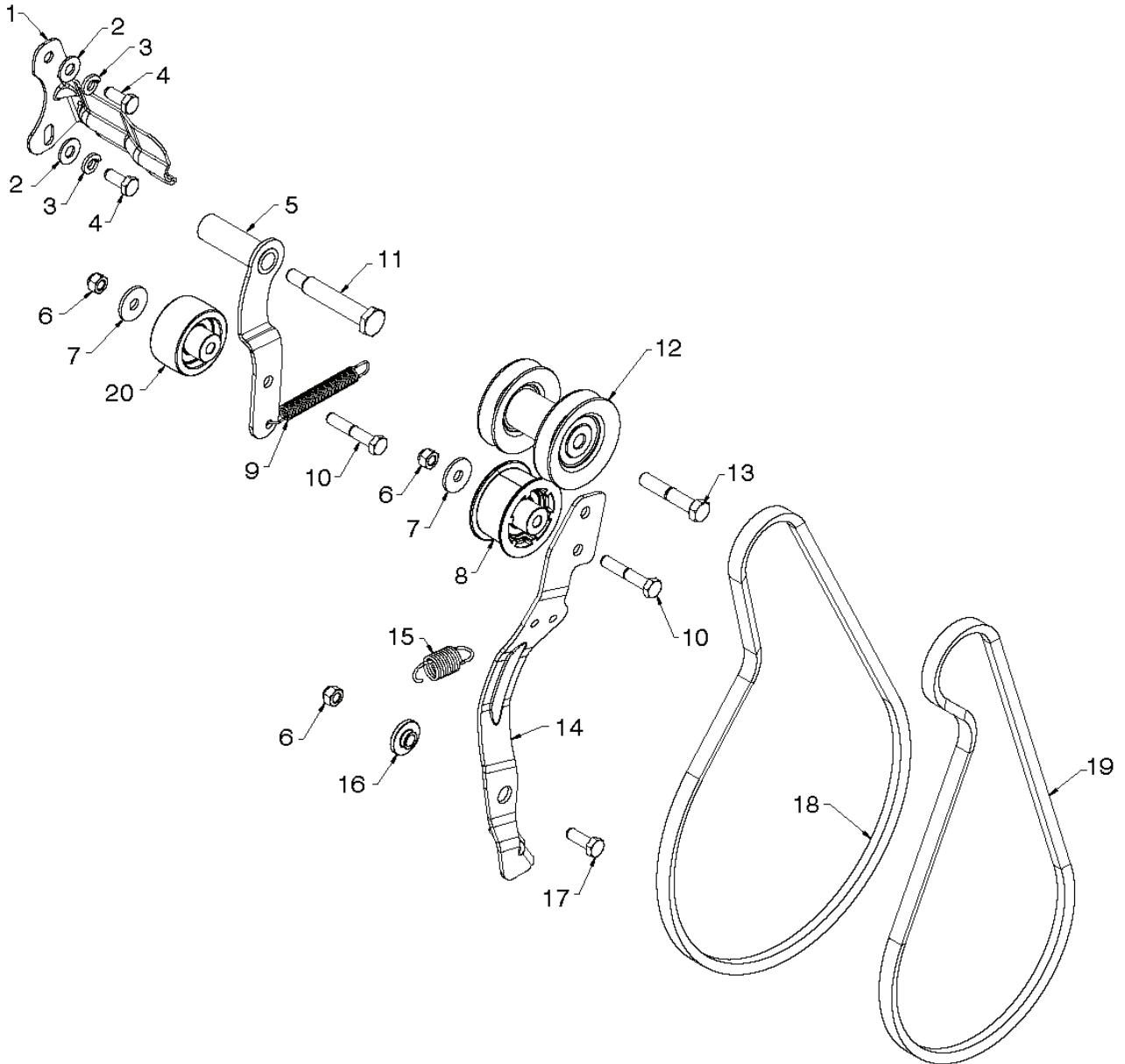
Reservdelslista

RESERVDELSLISTA



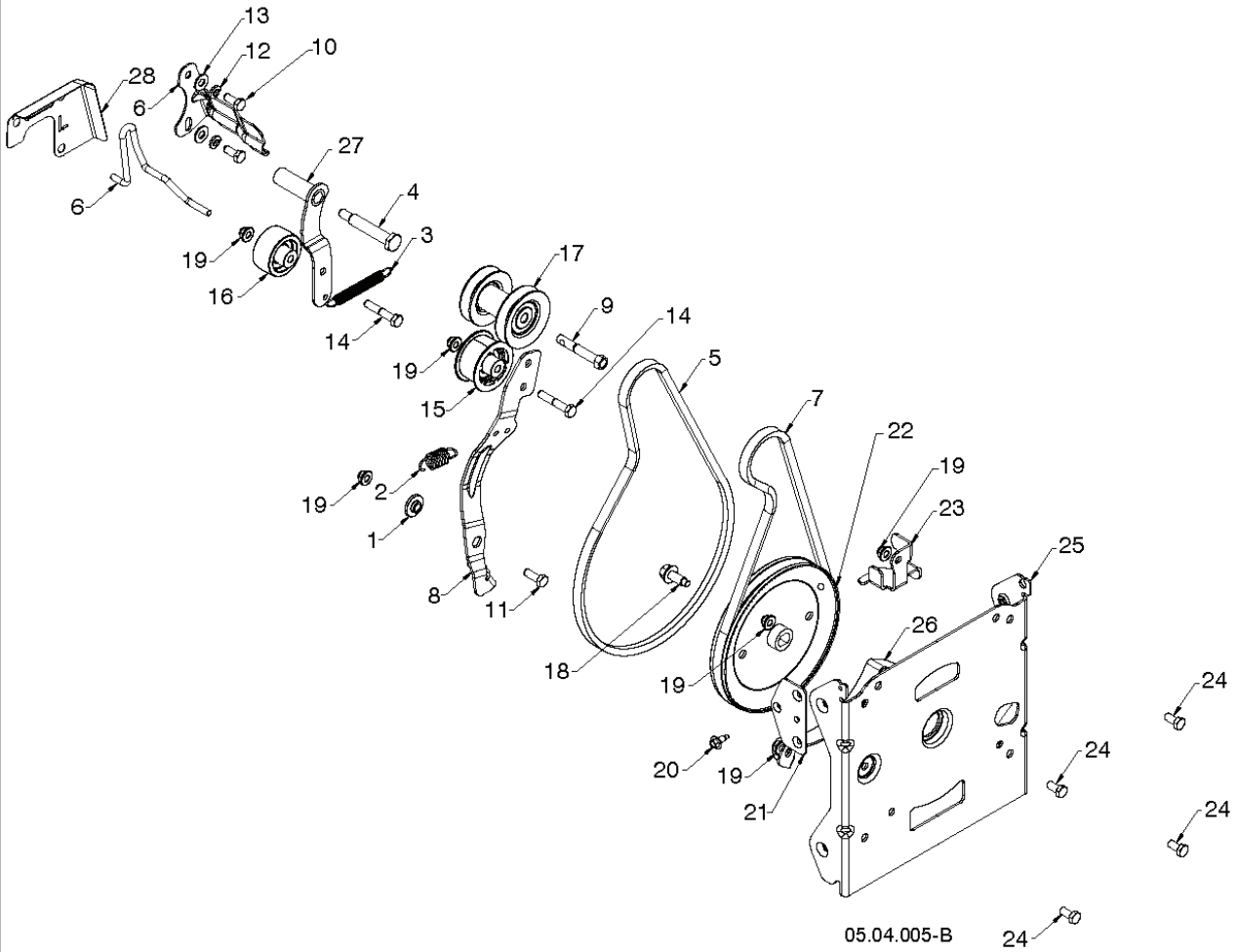
REF.	ART. NR	ARTIKELBESKRIVNING	ANMÄRKNING	KIT
1	581123603	HANDTAG	For 96191008700. 96193009601. 96191008701. 96193009602	1
1	588160803	HANDTAG	For all EXCEPT 96191008700. 96193009601. 96191008701. 96193009602	1
2	532185577	KNOPP		1
3	588059901	BULT	For all EXCEPT 96191008700. 96193009601	1
3	532191574	SCREW	For 96191008700. 96193009601	1
4	581123503	HANDTAG	For 96191008700. 96193009601	1
4	588672103	HANDTAG	For all EXCEPT 96191008700. 96193009601	1
5	817000612	SCREW		1
6	581622002	SUPPORT ASSY	For 96191008700. 96193009601. 96191008701. 96193009602. 96191008702. 96193009603. 96193009604. 96191008703	1
6	589264504	STÖD	For 96191008704. 96193009605. 96191008705. 96193009606. 97046850100. 97046850101. 97046860100. 97046860101	1
7	817000510	BULT		1

For 96191008700, 96193009601, 96191008701, 96193009602, 96191008702, 96193009603,
96193009604, 96191008703



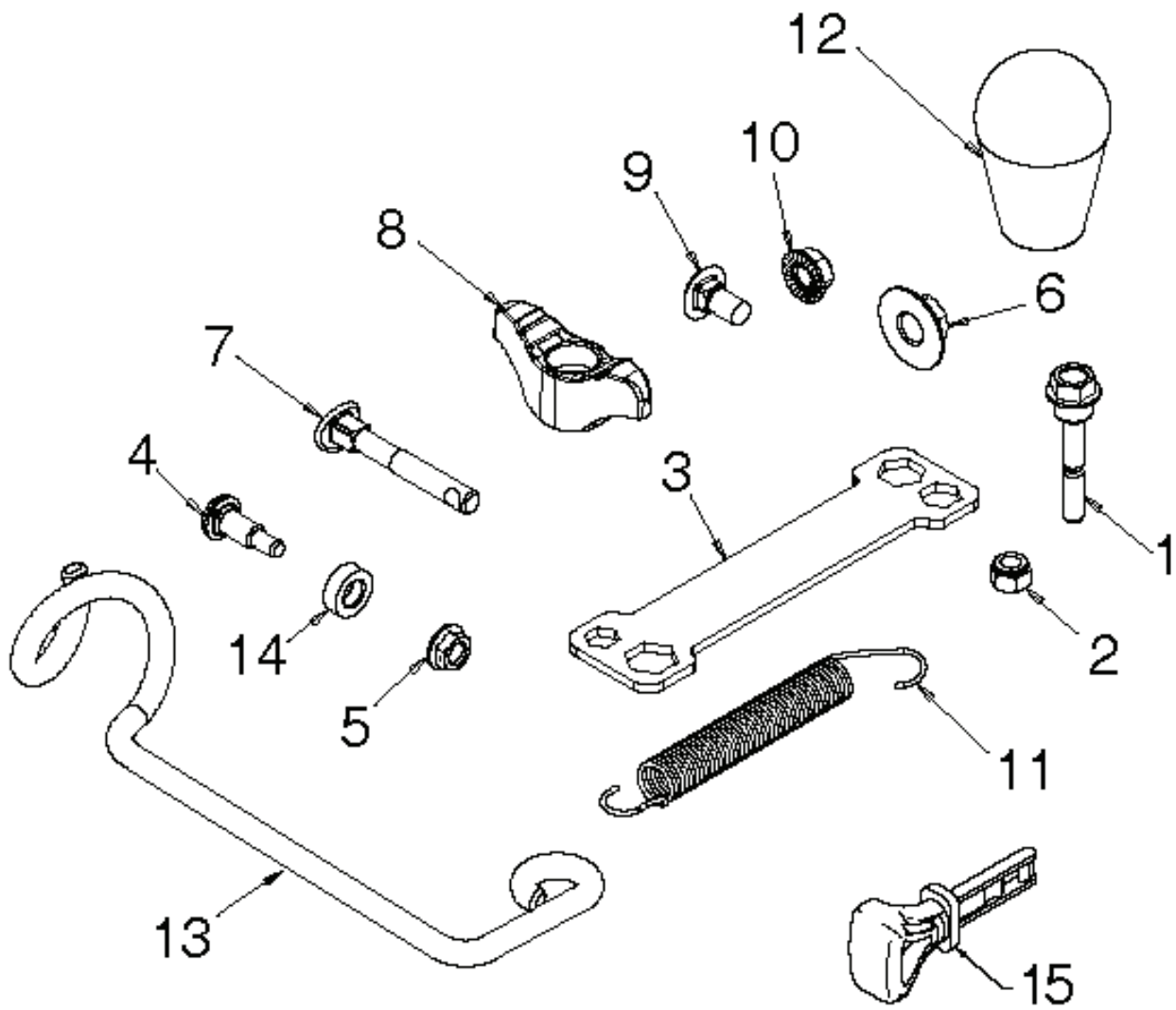
REF.	ART. NR	ARTIKELBESKRIVNING	ANMÄRKNING	KIT
1	581623702	FÄSTE	For 96191008700. 96193009601	1
1	588492802	FÄSTE	For 96191008701. 96193009602. 96191008702. 96193009603. 96193009604. 96191008703	1
2	819111216	BRICKA		1
3	810040500	BRICKA		1
4	874610512	SCREW		1
5	581338203	ARM		1
6	873800500	LOCK NUT		1
7	532059289	BRICKA		1
8	581141401	REMSKIVA		1
9	580753001	FJÄDER		1
10	874760528	BULT		1
11	581413801	BULT		1
12	587893703	REMSKIVA		1
13	532191760	SCREW	For 96191008701. 96193009602	1
13	582388401	BULT	For 96191008702. 96193009603. 96193009604. 96191008703	1
13	532179617	SCREW	For 96191008700. 96193009601	1
14	580831102	FÄSTE	For 96191008700	1
14	580831106	FÄSTE	For 96193009601. 96191008701. 96193009602. 96191008702. 96193009603. 96193009604. 96191008703	1
15	587031201	FJÄDER		1
16	587343701	BUSHING		1
17	874760514	BULT		1
18	584216102	REM		1
19	501818201	REM		1
20	586880201	REMSKIVA		1

For 96191008704, 96193009605, 96191008705, 96193009606, 97046850100, 97046850101,
97046860100, 97046860101



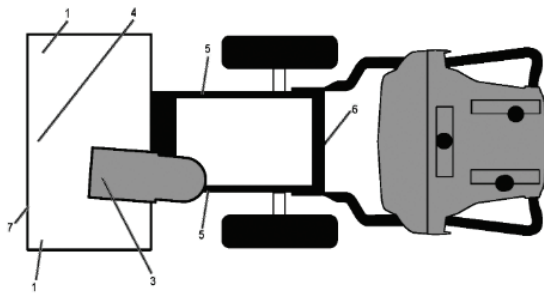
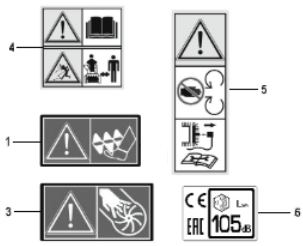
REF.	ART. NR	ARTIKELBESKRIVNING	ANMÄRKNING	KIT
1	587343701	BUSHING		1
2	587031201	FJÄDER		1
3	580753001	FJÄDER		1
4	581413801	BULT	For 97046850100. 97046860100	1
5	582640701	REM	For 97046850101. 97046860101	1
5	584216102	REM	For 96191008704. 96193009605. 96191008705. 96193009606. 97046850100. 97046860100	1
6	588492802	FÄSTE	For 96191008704. 96193009605. 96191008705. 96193009606. 97046850100. 97046860100	1
6	598644401	STYRNING	For 97046850101. 97046860101	1
7	501818201	REM		1
8	580831106	FÄSTE		1
9	582388401	BULT		1
10	581413801	BULT	For 97046850100. 97046860100	1
10	874610516	SCREW	For 97046850101. 97046860101	1
10	874610512	SCREW	For 96191008704. 96193009605. 96191008705. 96193009606	1
11	596322201	BULT	For 96191008705. 96193009606. 97046850100. 97046850101. 97046860100. 97046860101	1
11	874760514	BULT	For 96191008704. 96193009605	1
12	596238801	BRICKA	For 96191008705. 96193009606. 97046850100. 97046850101. 97046860100. 97046860101	1
12	810040500	BRICKA	For 96191008704. 96193009605	1
13	596204101	BRICKA		1
14	874760528	BULT		1
15	581141402	REMSKIVA	For 96191008704. 96193009605. 96191008705. 96193009606. 97046850101. 97046860101	1
15	586880202	REMSKIVA	For 96191008704. 96193009605. 96191008705. 96193009606. 97046850100. 97046860100	1
16	581141402	REMSKIVA	For 96191008704. 96193009605. 96191008705. 96193009606. 97046850101. 97046860101	1
16	586880202	REMSKIVA	For 96191008704. 96193009605. 96191008705. 96193009606. 97046850100. 97046860100	1
17	587893703	REMSKIVA	For 96191008704. 96193009605. 96191008705. 96193009606. 97046850100. 97046860100	1
17	589262203	REMSKIVA	For 97046850101. 97046860101	1

REF.	ART. NR	ARTIKELBESKRIVNING	ANMÄRKNING	KIT
18	595517901	SCREW	For 96191008705, 96193009606, 97046850100, 97046850101, 97046860100, 97046860101	1
18	583814901	SCREW	For 96191008704, 96193009605	1
19	532427942	MUTTER	For 96191008704, 96193009605	1
19	594944401	MUTTER	For 96191008705, 96193009606, 97046850100, 97046850101, 97046860100, 97046860101	1
20	585517801	SCREW		1
21	590044602	FÄSTE		1
22	590699201	REMSKIVA		1
23	587587202	STYRNING		1
24	596031601	SCREW	For 96191008705, 96193009606, 97046850100, 97046850101, 97046860100, 97046860101	1
24	532163183	BULT	For 96191008704, 96193009605	1
25	581592502	FÄSTE		1
26	581632002	FÄSTE	For 96191008704, 96193009605, 96191008705, 96193009606, 97046850100, 97046860100	1
26	593192502	ARM	For 97046850101, 97046860101	1
27	593192502	ARM	For 97046850101, 97046860101	1
27	581338203	ARM	For 96191008704, 96193009605, 96191008705, 96193009606, 97046850100, 97046850101, 97046860100	1
28	598711902	KÅPA	For 97046850101, 97046860101	1

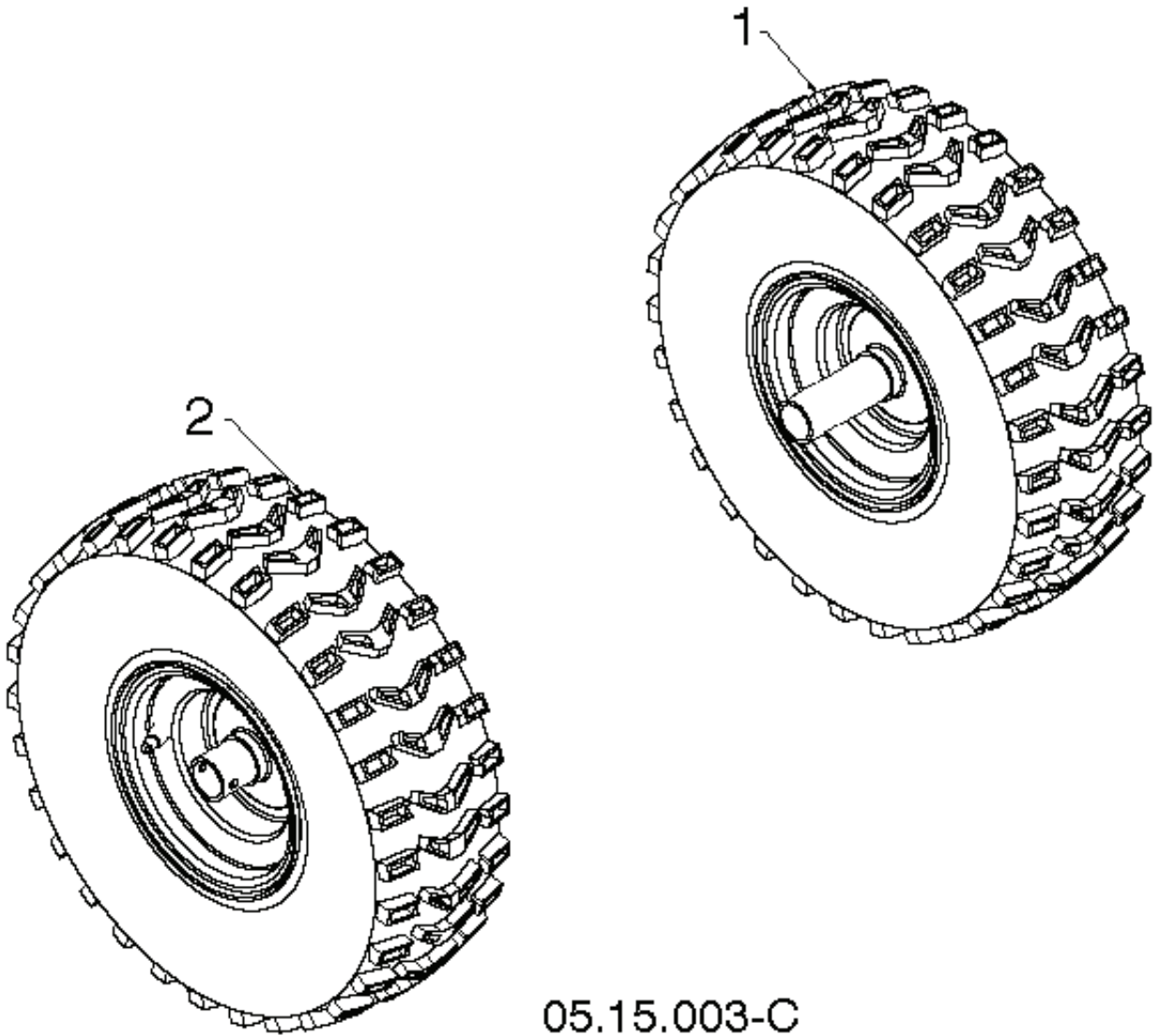


REF.	ART. NR	ARTIKELBESKRIVNING	ANMÄRKNING	KIT
1	588077501	BULT	For all EXCEPT 96191008705, 96193009606, 97046850100, 97046850101, 97046860100, 97046860101	1
1	588077502	BULT	For 96191008705, 96193009606, 97046850100, 97046850101, 97046860100, 97046860101	1
2	595086601	MUTTER	For 96191008705, 96193009606, 97046850100, 97046850101, 97046860100, 97046860101	1
2	873800400	MUTTER	For all EXCEPT 96191008705, 96193009606, 97046850100, 97046850101, 97046860100, 97046860101	1
3	532429112	SKIFTNYCKEL	For all EXCEPT 96191008705, 96193009606, 97046850100, 97046850101, 97046860100, 97046860101	1
4	585832201	BULT	For 96191008700, 96193009601, 96191008701, 96193009602	1
4	501417301	BULT	For all EXCEPT 96191008700, 96193009601, 96191008701, 96193009602	1
5	585691401	MUTTER		1
6	585691001	MUTTER		1
7	588059901	BULT	For all EXCEPT 96191008700, 96193009601	1
7	532191574	SCREW	For 96191008700, 96193009601	1
8	532185577	KNOPP		1
9	585832001	BULT		1
10	585691501	MUTTER	For 96191008700	1
10	596040501	LOCK NUT	For all EXCEPT 96191008700	1
11	532184505	FJÄDER		1
12	581697501	KNOPP		1
13	581897301	STÖD	For all EXCEPT 97046850100, 97046850101, 97046860100, 97046860101	1
13	596976801	STÖD	For 97046850100, 97046850101, 97046860100, 97046860101	1
14	501417401	BRICKA	For all EXCEPT 96191008700, 96193009601, 96191008701, 96193009602	1
15	532443059	SATS		1

7- **ST 224**

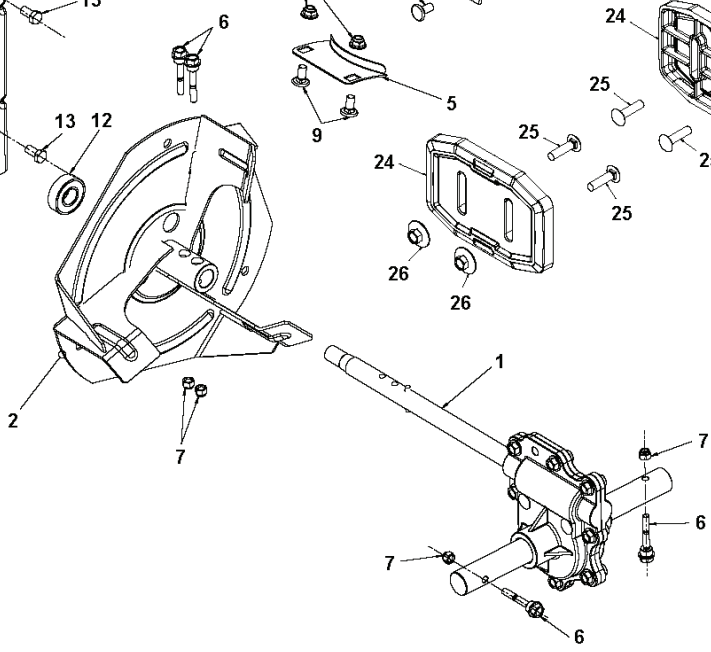
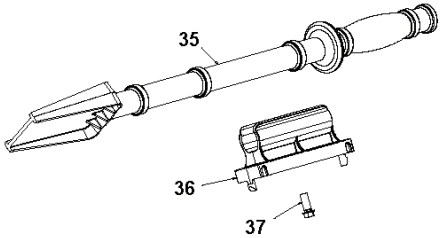
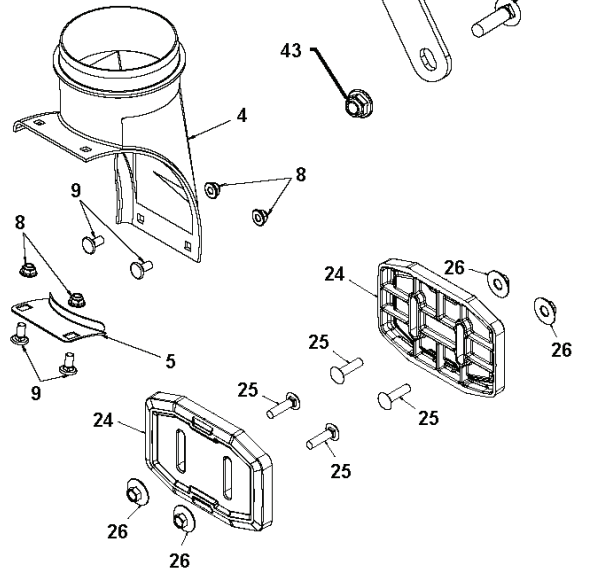
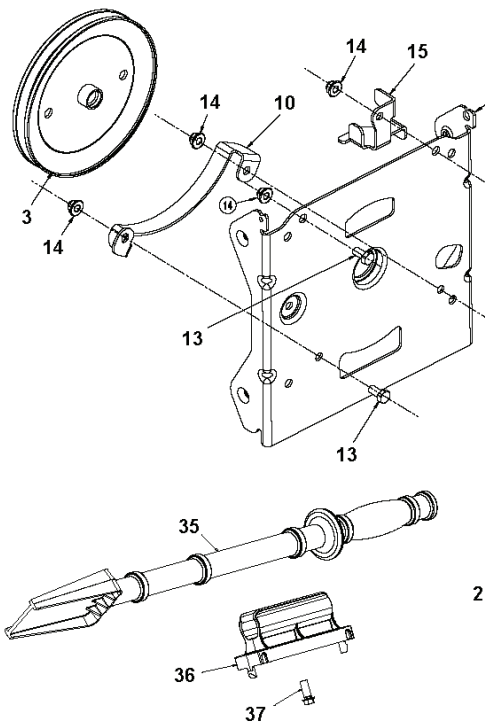
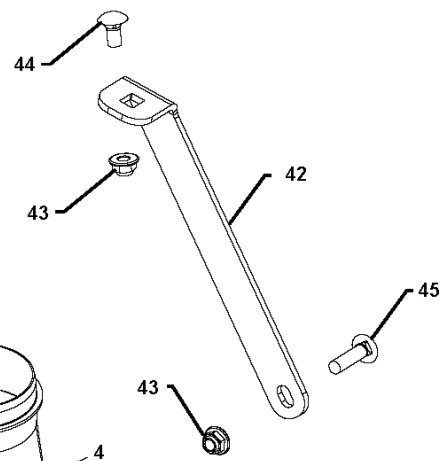
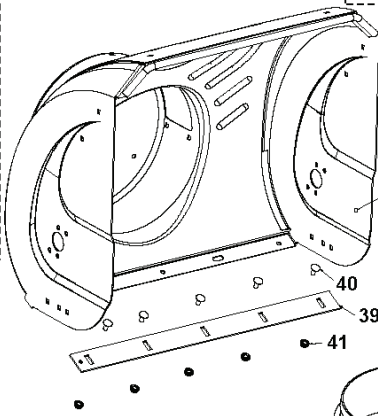
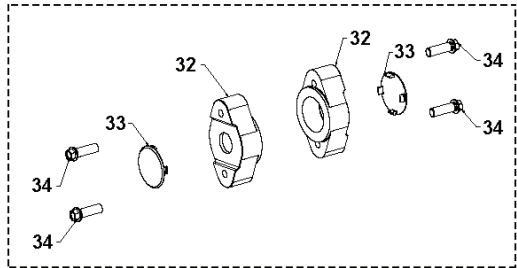
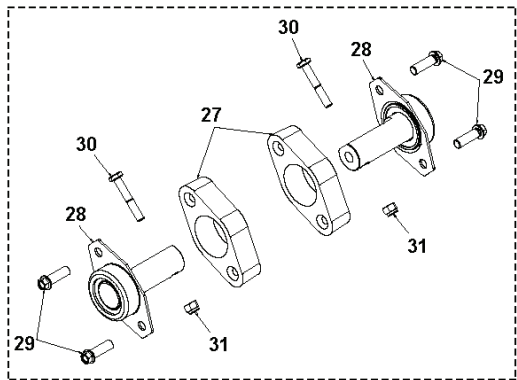
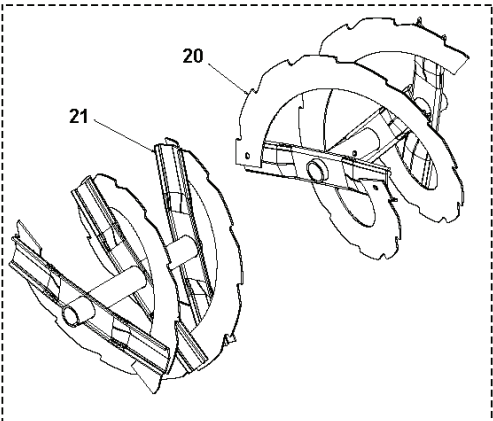
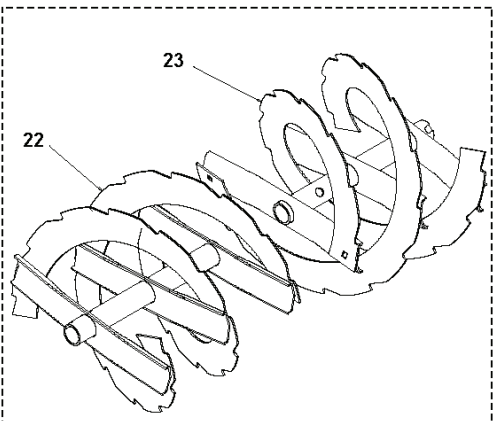


REF.	ART. NR	ARTIKELBESKRIVNING	ANMÄRKNING	KIT
1	532199683	DEKAL		1
3	590812201	DEKAL		1
4	532184045	DEKAL		1
5	532184028	DEKAL		1
6	589592701	DEKAL		1
7	588597101	DEKAL		1



05.15.003-C

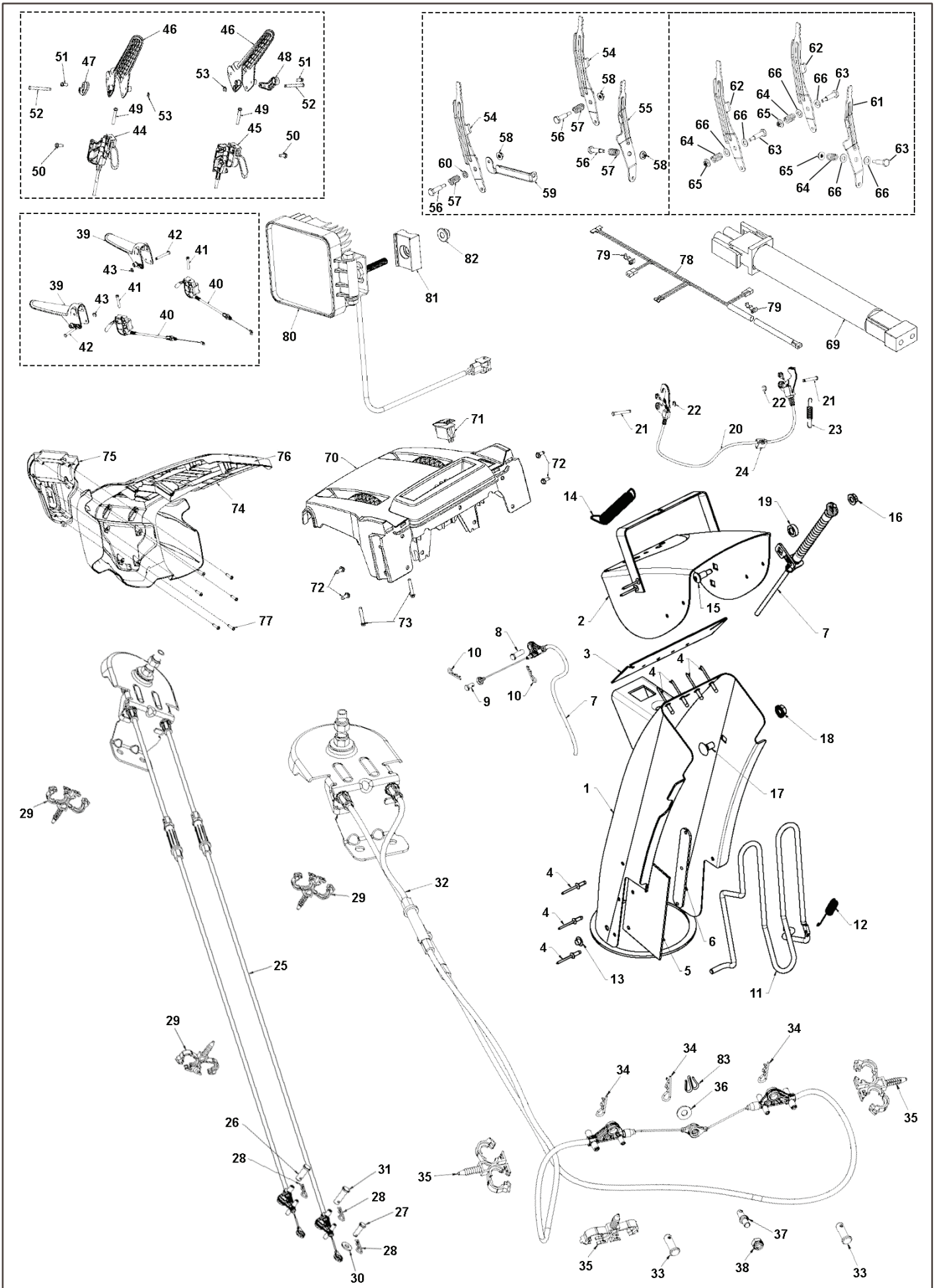
REF.	ART. NR	ARTIKELBESKRIVNING	ANMÄRKNING	KIT
1	586710401	HJUL	LH	1
2	586710301	HJUL	RH	1



REF.	ART. NR	ARTIKELBESKRIVNING	ANMÄRKNING	KIT
1	597371501	SERVICE KIT	For 96191008700, 96193009601, 96191008701, 96193009602, 96191008702, 96193009603, 96193009604, 96191008703	1
1	582867601	GEARBOX	For 96191008704, 96193009605, 96191008705, 96193009606	1
1	597671901	GEARBOX	For 97046850100, 97046850101, 97046860100, 97046860101	1
2	586607202	FLÄKTHJUL		1
3	586715201	REMSKIVA	For 96191008700, 96193009601	1
3	587402401	REMSKIVA	For 96191008701, 96193009602, 96191008702, 96193009603, 96193009604, 96191008703	1
4	585056901	UTKASTARRÖR		1
5	532184095	PLATTA	For all EXCEPT 96191008705, 96193009606, 97046850100, 97046850101, 97046860100, 97046860101	1
5	597433002	FÄSTE	For 96191008705, 96193009606, 97046850100, 97046850101, 97046860100, 97046860101	1
6	588077501	BULT	For all EXCEPT 96191008705, 96193009606, 97046850100, 97046850101, 97046860100, 97046860101	1
6	588077502	BULT	For 96191008705, 96193009606, 97046850100, 97046850101, 97046860100, 97046860101	1
7	595086601	MUTTER	For 96191008705, 96193009606, 97046850100, 97046850101, 97046860100, 97046860101	1
7	873800400	MUTTER	For all EXCEPT 96191008705, 96193009606, 97046850100, 97046850101, 97046860100, 97046860101	1
8	585691301	MUTTER	For 96193009605, 96191008705, 96193009606, 97046850100, 97046850101, 97046860100, 97046860101	1
9	585691201	BULT		1
10	581632002	FÄSTE	For 96191008700, 96193009601, 96191008701, 96193009602, 96191008702, 96193009603, 96193009604, 96191008703	1

REF.	ART. NR	ARTIKELBESKRIVNING	ANMÄRKNING	KIT
11	581592502	FÄSTE	For 96191008700. 96193009601. 96191008701. 96193009602. 96191008702. 96193009603. 96193009604. 96191008703	1
12	532198791	KULLAGER		1
13	532163183	BULT	For 96191008700. 96193009601. 96191008701. 96193009602. 96191008702. 96193009603. 96193009604. 96191008703	1
14	532427942	MUTTER	For 96191008700. 96193009601. 96191008701. 96193009602. 96191008702. 96193009603. 96193009604. 96191008703	1
15	587587202	STYRNING	For 96191008701. 96193009602. 96191008702. 96193009603. 96193009604. 96191008703	1
20	587191001	INMATARSKRUV	For all EXCEPT 96191008700. 96193009601. 96193009602. 96193009603. 96193009604. 96193009605	1
21	585544201	INMATARSKRUV	For 96191008700. 96193009601. 96193009602. 96193009603. 96193009604. 96193009605	1
22	532421073	INMATARSKRUV	For 96191008700. 96193009601. 96193009602. 96193009603. 96193009604. 96193009605	1
23	532421072	INMATARSKRUV	For 96191008700. 96193009601. 96193009602. 96193009603. 96193009604. 96193009605	1
24	583838801	SKO		1
25	585802901	BULT		1
26	585802801	MUTTER		1
27	532188170	HÅLLARE	For all EXCEPT 96191008705. 96193009606. 97046850100. 97046850101. 97046860100. 97046860101	1
28	532427762	LAGER	For all EXCEPT 96191008705. 96193009606. 97046850100. 97046850101. 97046860100. 97046860101	1
29	584299401	SKRUV EHHFT	For 96191008705. 96193009606. 97046850100. 97046850101. 97046860100. 97046860101	1
30	874780426	SCREW	For all EXCEPT 96191008705. 96193009606. 97046850100. 97046850101. 97046860100. 97046860101	1

REF.	ART. NR	ARTIKELBESKRIVNING	ANMÄRKNING	KIT
31	873800400	MUTTER	For all EXCEPT 96191008705, 96193009606, 97046850100, 97046850101, 97046860100, 97046860101	1
32	532420478	LAGER	For 96191008705, 96193009606, 97046850100, 97046850101, 97046860100, 97046860101	1
33	532411939	PLUGG	For 96191008705, 96193009606, 97046850100, 97046850101, 97046860100, 97046860101	1
34	584299401	SKRUV EHHFT	For 96191008705, 96193009606, 97046850100, 97046850101, 97046860100, 97046860101	1
35	532192199	VERKTYG		1
36	532405400	ÖVERFALL		1
37	532194189	SCREW		1
38	581708390	HUS KPL		1
39	532416215	SVÄRD		1
40	596039401	BULT		1
41	596039201	LOCK NUT	For 97046850100, 97046850101, 97046860100, 97046860101	1
41	532155377	MUTTER	For all EXCEPT 97046850100, 97046850101, 97046860100, 97046860101	1
42	589323002	BRACE	For 96193009605, 96191008705, 96193009606, 97046850100, 97046850101, 97046860100, 97046860101	1
43	585691301	MUTTER	For 96193009605, 96191008705, 96193009606, 97046850100, 97046850101, 97046860100, 97046860101	1
44	585832001	BULT	For 96193009605, 96191008705, 96193009606, 97046850100, 97046850101, 97046860100, 97046860101	1
45	872110510	BULT	For 96193009605, 96191008705, 96193009606, 97046850100, 97046850101, 97046860100, 97046860101	1



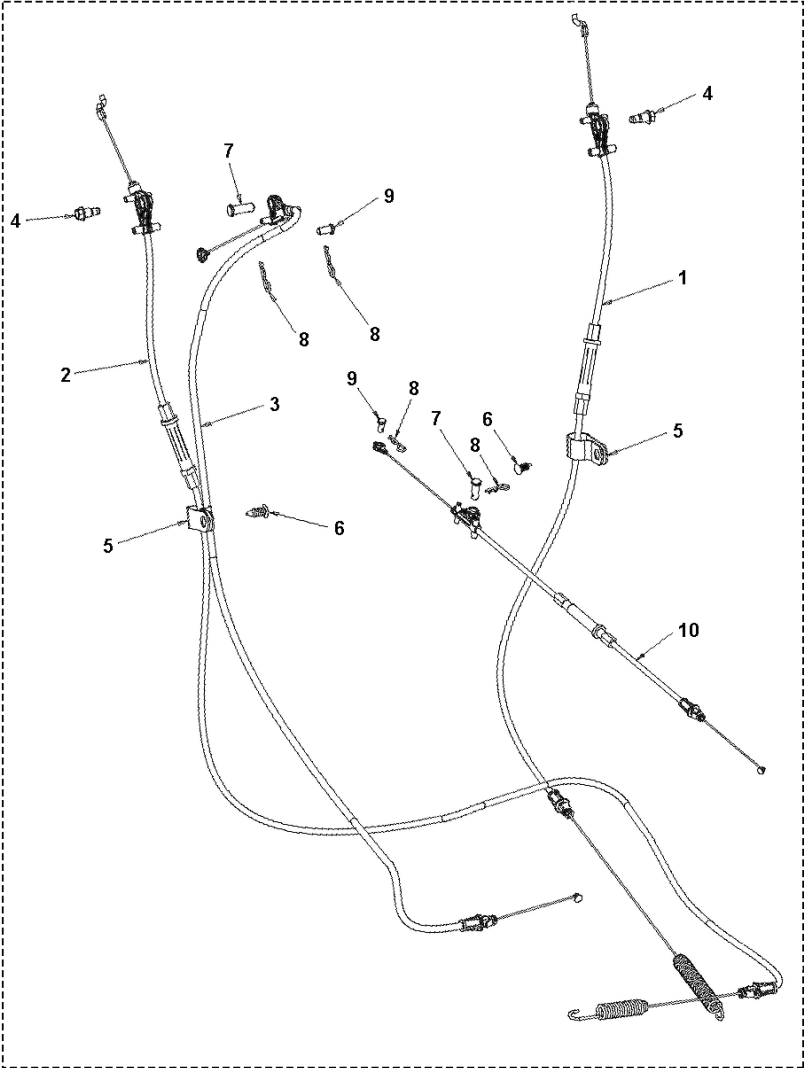
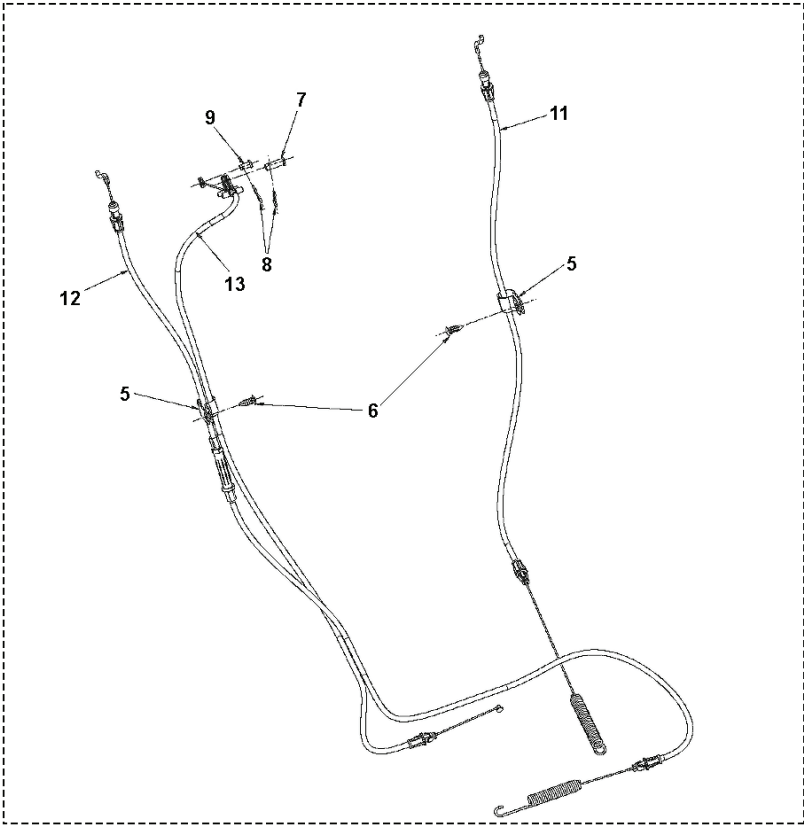
REF.	ART. NR	ARTIKELBESKRIVNING	ANMÄRKNING	KIT
1	532444041	UTKASTARRÖR KPL	For 96191008700. 96193009601	1
1	588077802	UTKASTARRÖR KPL	For all EXCEPT 96191008700. 96193009601. INCLUDES KEY NUMBERS 1-6.	1
2	532184113	DEFLEKTOR	For 96191008700. 96193009601	1
2	900000002	DUMMY PART	For all EXCEPT 96191008700. 96193009601. DEFLECTOR.	1
3	900000002	DUMMY PART	For all EXCEPT 96191008700. 96193009601. DEFLECTOR.	1
3	532420325	SEAL	For 96191008700. 96193009601	1
4	900000002	DUMMY PART	For all EXCEPT 96191008700. 96193009601. DEFLECTOR.	1
4	532128415	NIT	For 96191008700. 96193009601	1
5	900000002	DUMMY PART	For all EXCEPT 96191008700. 96193009601. DEFLECTOR.	1
5	532430324	SKÄRM	For 96191008700. 96193009601	1
6	900000002	DUMMY PART	For all EXCEPT 96191008700. 96193009601. DEFLECTOR.	1
6	532421728	FÄSTE	For 96191008700. 96193009601	1
7	586961501	KABEL	For 96191008700. 96193009601. 96191008701. 96193009602. 96191008702. 96193009603	1
7	590587002	KABEL	For 96191008705. 96193009606	1
7	590587001	KABEL	For 96193009604. 96191008703. 96191008704. 96193009605	1
7	598450501	KABLAGE KPL	For 97046850100. 97046850101. 97046860100. 97046860101	1
8	581329401	PENNOR	For 97046850100. 97046850101. 97046860100. 97046860101	1
9	585808301	PENNOR		1
10	583404901	TAPP		1
11	593622201	SKYDD	For 97046860100. 97046860101	1
11	532435582	SKYDD	For 96191008700. 96191008701. 96191008702. 96191008703. 96191008704. 96191008705	1
12	532435616	FJÄDER	For 96191008700. 96191008701. 96191008702. 96191008703. 96191008704. 96191008705. 97046860100. 97046860101	1
13	532059349	MUTTER	For 96191008700. 96191008701. 96191008702. 96191008703. 96191008704. 96191008705. 97046860101	1
13	582935201	MUTTER	For 97046860100	1
14	532184505	FJÄDER	INCLUDED IN BAG OF PARTS	1
15	585832001	BULT	For 96193009602. INCLUDED IN BAG OF PARTS.	1

REF.	ART. NR	ARTIKELBESKRIVNING	ANMÄRKNING	KIT
15	585832201	BULT	For 96191008700, 96193009601, 96191008701. INCLUDED IN BAG OF PARTS.	1
15	501417301	BULT	For all EXCEPT 96191008700, 96193009601, 96191008701, 96193009602. INCLUDED IN BAG OF PARTS.	1
16	585691401	MUTTER	INCLUDED IN BAG OF PARTS	1
17	585832001	BULT	For 96193009602. INCLUDED IN BAG OF PARTS.	1
18	585691501	MUTTER	For 96191008700, 96193009601	1
18	596040501	LOCK NUT	For all EXCEPT 96191008700, 96193009601	1
19	501417401	BRICKA	For all EXCEPT 96191008700, 96193009601, 96191008701, 96193009602	1
20	593853401	KABEL	For 96191008704, 96193009605, 96191008705, 96193009606, 97046850100, 97046850101, 97046860100, 97046860101	1
20	587332502	KABEL	For 96191008700, 96193009601, 96191008701, 96193009602, 96191008702, 96193009603, 96193009604, 96191008703	1
21	532431762	PENNOR	For 96191008700, 96193009601, 96191008701, 96193009602	1
21	583473901	RÄFFELPINNE	For 97046860100	1
22	812000014	FLÄNSRING	For 96191008700, 96193009601, 96191008701, 96193009602	1
23	581151201	FJÄDER		1
24	532197991	KLÄMMA		1
25	581680301	KABLAGE KPL	For 96191008700, 96193009601, 96191008701, 96193009602, 96191008702, 96193009603, 96193009604, 96191008703, 96191008704, 96193009605	1
25	581680302	KABLAGE KPL	For 96191008705, 96193009606	1
26	581329401	PENNOR	For 97046850100, 97046850101, 97046860100, 97046860101	1
27	877100812	PENNOR	For all EXCEPT 97046850100, 97046850101, 97046860100, 97046860101	1
28	532423303	HAIR PIN COTTER	For 97046850100, 97046850101, 97046860100, 97046860101	1
29	584652201	KLÄMMA	For 97046850100, 97046850101, 97046860100, 97046860101	1
30	586682101	BRICKA	For 97046850100, 97046850101, 97046860100, 97046860101	1

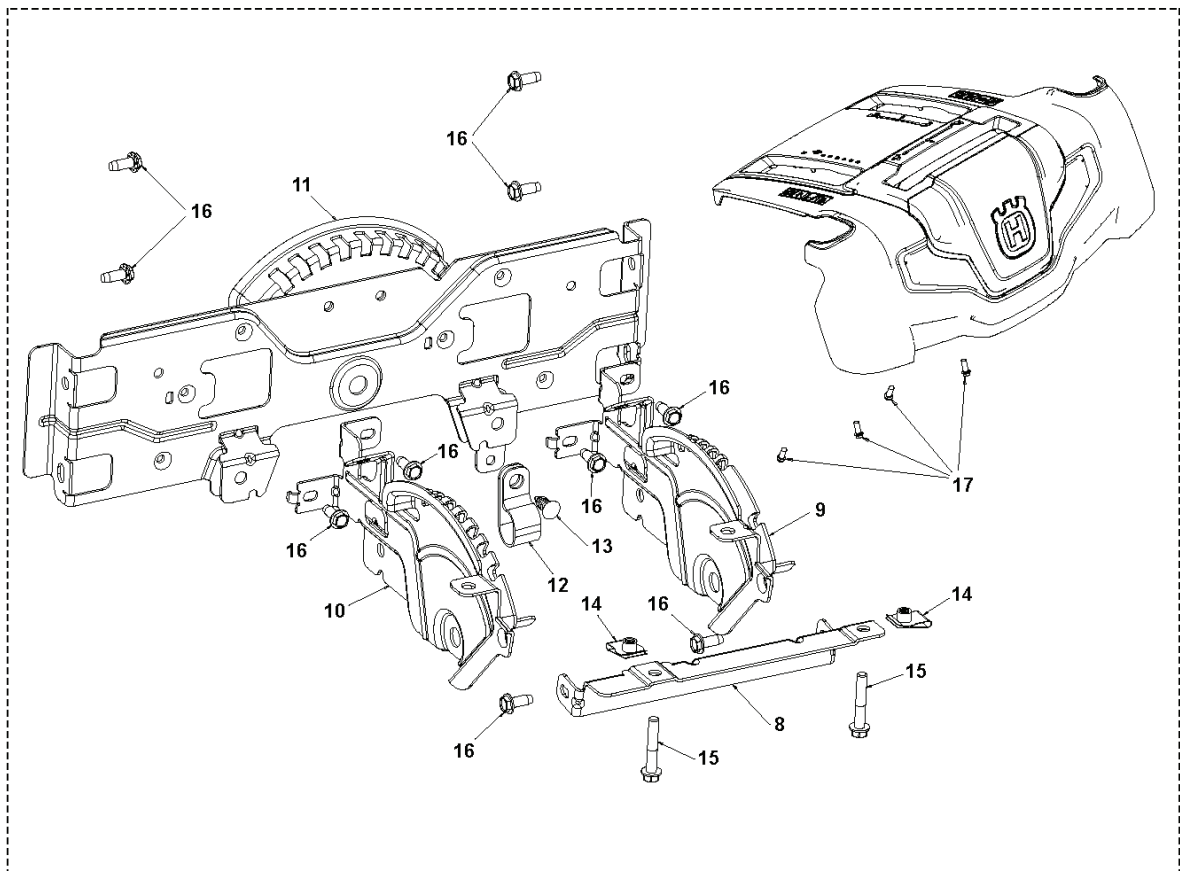
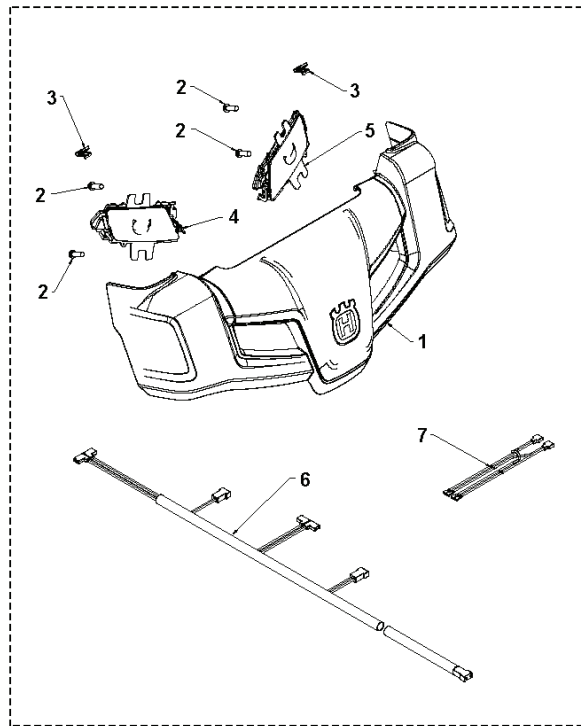
REF.	ART. NR	ARTIKELBESKRIVNING	ANMÄRKNING	KIT
31	587130801	PENNOR	For 96191008700. 96193009601. 96191008701. 96193009602. 96191008702. 96193009603. 96193009604. 96191008703. 96191008704. 96193009605	1
31	587130803	TAPP	For 96191008705. 96193009606	1
32	598803401	KABLAGE KPL	For 97046850100. 97046850101. 97046860100. 97046860101	1
33	581329401	PENNOR	For 97046850100. 97046850101. 97046860100. 97046860101	1
34	532423303	HAIR PIN COTTER	For 97046850100. 97046850101. 97046860100. 97046860101	1
35	584652201	KLÄMMA	For 97046850100. 97046850101. 97046860100. 97046860101	1
36	586682101	BRICKA	For 97046850100. 97046850101. 97046860100. 97046860101	1
37	599265401	CLEVIS PIN	For 97046850100. 97046850101. 97046860100. 97046860101	1
38	595086601	MUTTER	For 97046850100. 97046850101. 97046860100. 97046860101	1
39	587463001	HÄVARM	For 96191008700. 96193009601. 96191008701. 96193009602	1
40	581208101	MANÖVERDON	For 96193009601. 96191008701	1
40	581208201	KABEL	For 96191008700. 96193009602	1
41	585690701	SCREW	For 96191008700. 96193009601. 96191008701. 96193009602	1
42	532431762	PENNOR	For 96191008700. 96193009601. 96191008701. 96193009602	1
43	812000014	FLÄNSRING	For 96191008700. 96193009601. 96191008701. 96193009602	1
44	588263901	KABEL	For 97046850100. 97046850101. 97046860100. 97046860101	1
44	587739601	LAGERTAPP	For 96191008702. 96193009603. 96193009604. 96191008703. 96191008704. 96193009605. 96191008705. 96193009606	1
45	588263902	KABEL	For 97046850100. 97046850101. 97046860100. 97046860101	1
45	587739602	LAGERTAPP	For 96191008702. 96193009603. 96193009604. 96191008703. 96191008704. 96193009605. 96191008705. 96193009606	1

REF.	ART. NR	ARTIKELBESKRIVNING	ANMÄRKNING	KIT
46	587463001	HÄVARM	For 96191008700. 96193009601. 96191008701. 96193009602	1
47	587739701	HÄVARM	For all EXCEPT 96191008700. 96193009601. 96191008701. 96193009602	1
48	587739702	HÄVARM	For all EXCEPT 96191008700. 96193009601. 96191008701. 96193009602	1
49	581329501	SCREW	For all EXCEPT 96191008700. 96193009601. 96191008701. 96193009602	1
50	817060410	SCREW	For all EXCEPT 96191008700. 96193009601. 96191008701. 96193009602	1
51	817411308	SCREW	For all EXCEPT 96191008700. 96193009601. 96191008701. 96193009602	1
52	588147701	TAPP	For all EXCEPT 96191008700. 96193009601. 96191008701. 96193009602	1
53	812000014	FLÄNSRING	For 96191008700. 96193009601. 96191008701. 96193009602	1
54	581123902	HÄVARM	For 97046850100. 97046850101. 97046860100. 97046860101	1
55	581241602	HÄVARM	For all EXCEPT 97046850100. 97046850101. 97046860100. 97046860101	1
56	581329701	BULT	For 96191008700. 96193009601. 96191008701. 96193009602. 96191008702. 96193009603. 96193009604. 96191008703. 96191008704. 96193009605	1
56	581329702	BULT	For 96191008705. 96193009606	1
57	581329601	FJÄDER	For 97046850100. 97046850101. 97046860100. 97046860101	1
58	586668901	MUTTER	For 97046850100. 97046850101. 97046860100. 97046860101	1
59	584468402	BRACE	For all EXCEPT 97046850100. 97046850101. 97046860100. 97046860101	1
60	587031301	BRICKA	For all EXCEPT 97046850100. 97046850101. 97046860100. 97046860101	1
61	596786802	HÄVARM	For 97046850100. 97046850101. 97046860100. 97046860101	1
62	581123902	HÄVARM	For 97046850100. 97046850101. 97046860100. 97046860101	1
63	581329702	BULT	For 96191008705. 96193009606	1

REF.	ART. NR	ARTIKELBESKRIVNING	ANMÄRKNING	KIT
64	581329601	FJÄDER	For 97046850100, 97046850101, 97046860100, 97046860101	1
65	586668901	MUTTER	For 97046850100, 97046850101, 97046860100, 97046860101	1
66	532179246	BRICKA	For 97046850100, 97046850101, 97046860100, 97046860101	1
69	587535701	SELE	For 97046860100	1
69	598458701	SELE	For 97046850100, 97046850101	1
70	581131212	KONSOL	For all EXCEPT 97046850100, 97046850101, 97046860100, 97046860101	1
71	585805001	BRYTARE	For all EXCEPT 97046850100, 97046850101, 97046860100, 97046860101	1
72	817060410	SCREW	For all EXCEPT 96191008700, 96193009601, 96191008701, 96193009602	1
73	581329501	SCREW	For all EXCEPT 96191008700, 96193009601, 96191008701, 96193009602	1
74	598803701	KONSOL	For 97046850100, 97046850101, 97046860100, 97046860101	1
75	598803801	KONSOL	For 97046850100, 97046850101, 97046860100, 97046860101	1
76	598812001	DEKAL	For 97046850100, 97046850101, 97046860100, 97046860101	1
77	532163409	SCREW	For 97046850100, 97046850101, 97046860100, 97046860101	1
78	598458701	SELE	For 97046850100, 97046850101	1
79	532145006	KLÄMMA	For all EXCEPT 96191008700, 96193009601, 96191008701, 97046850100, 97046850101, 97046860100	1
80	535332701	LIGHT	Fits 97052860100, 97052860200	1
81	590439801	MOUNTING BRAKET	For 97046850100, 97046850101, 97046860100, 97046860101	1
82	594944401	MUTTER	For 97046850100, 97046850101, 97046860100, 97046860101	1
83	596029401	HÅLLARE		1

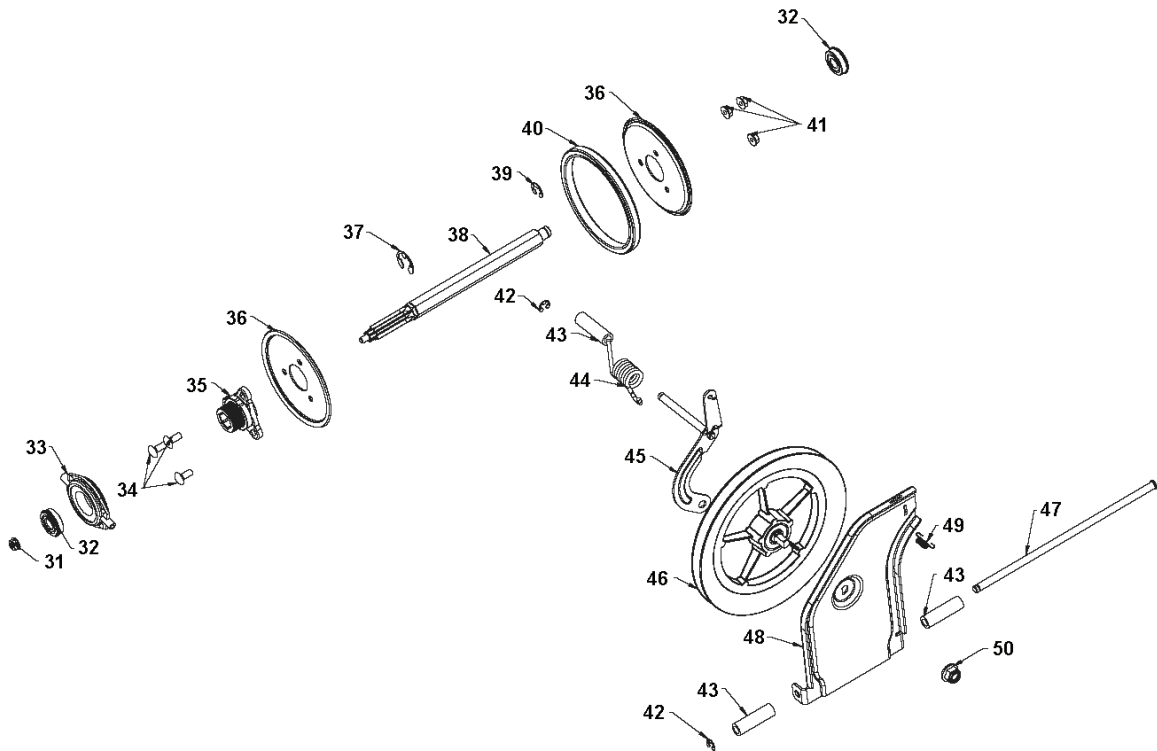


REF.	ART. NR	ARTIKELBESKRIVNING	ANMÄRKNING	KIT
1	581128301	KABEL	For 96191008700. 96193009601	1
1	587641801	KABEL	For 96191008701. 96193009602	1
2	587428701	KABEL	For 96191008701. 96193009602	1
2	581128201	KABEL	For 96191008700. 96193009601	1
3	588122301	KABEL	For 96191008701. 96193009602	1
4	581726101	BULT	For 96191008700. 96193009601. 96191008701. 96193009602	1
5	532197991	KLÄMMA		1
6	532428124	KLÄMMA		1
7	581329401	PENNOR		1
8	532423303	HAIR PIN COTTER		1
9	585808301	PENNOR		1
10	581124201	KABEL	For 96191008700. 96193009601	1
11	582519002	KABEL	For all EXCEPT 96191008700. 96193009601. 96191008701. 96193009602	1
12	588113802	KABEL	For all EXCEPT 96191008700. 96193009601. 96191008701. 96193009602	1
13	588122301	KABEL	For 96191008701. 96193009602	1
13	593848401	KABEL	For 96191008705. 96193009606	1
13	598450401	KABLAGE KPL	For 97046850100. 97046850101. 97046860100. 97046860101	1

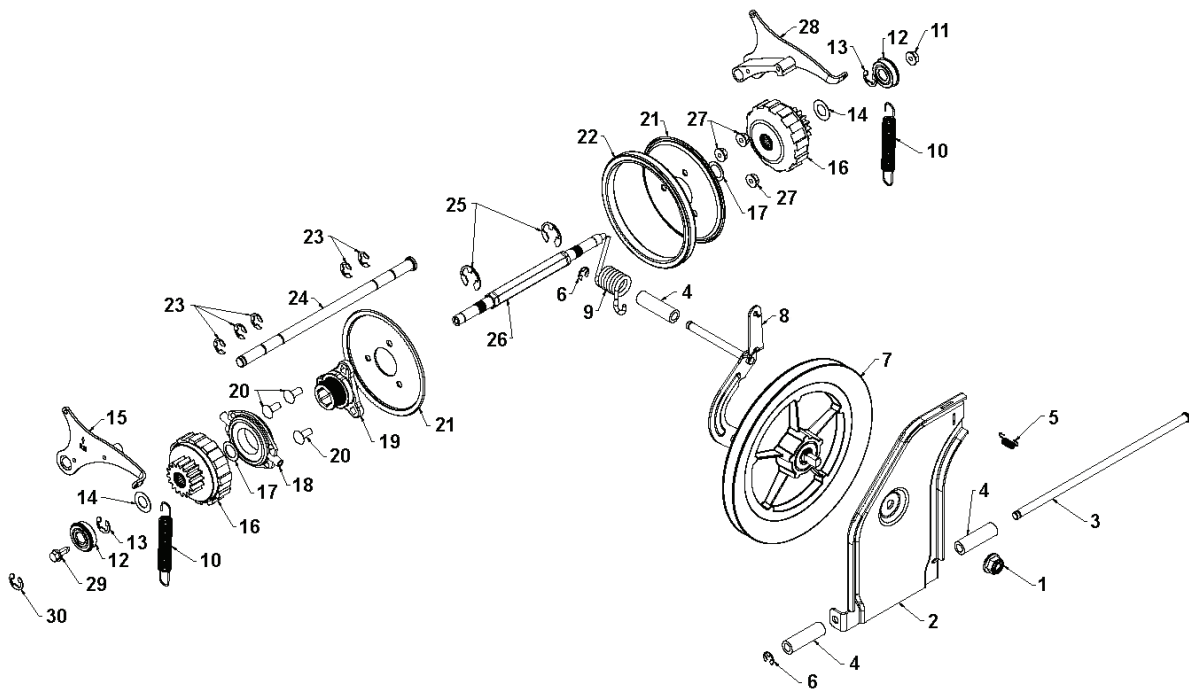


REF.	ART. NR	ARTIKELBESKRIVNING	ANMÄRKNING	KIT
1	581127901	KÅPA	For all EXCEPT 97046850100, 97046850101, 97046860100, 97046860101	1
2	532194189	SCREW	For 97046850100, 97046850101, 97046860100, 97046860101	1
3	581928701	KLÄMMA	For all EXCEPT 97046850100, 97046850101, 97046860100, 97046860101	1
4	586723501	LIGHT	For all EXCEPT 97046850100, 97046850101, 97046860100, 97046860101	1
5	586723601	LIGHT	For all EXCEPT 97046850100, 97046850101, 97046860100, 97046860101	1
6	584290201	SELE	For 96191008700, 96193009601	1
7	585868301	SELE	For all EXCEPT 97046850100, 97046850101, 97046860100, 97046860101	1
8	597991902	FÄSTE	For 97046850100, 97046850101, 97046860100, 97046860101	1
9	597992202	FÄSTE	For 97046850100, 97046850101, 97046860100, 97046860101	1
10	597992302	FÄSTE	For 97046850100, 97046850101, 97046860100, 97046860101	1
11	597992402	FÄSTE	For 97046850100, 97046850101, 97046860100, 97046860101	1
12	532197991	KLÄMMA	For 97046850100, 97046850101, 97046860100, 97046860101	1
13	532428124	KLÄMMA	For 97046850100, 97046850101, 97046860100, 97046860101	1
14	532417693	MUTTER	For 97046850100, 97046850101, 97046860100, 97046860101	1
15	501406601	SCREW	For 97046850100, 97046850101, 97046860100, 97046860101	1
16	585517801	SCREW	For 97046850100, 97046850101, 97046860100, 97046860101	1
17	532194189	SCREW	For 97046850100, 97046850101, 97046860100, 97046860101	1

For all EXCEPT 97046850100, 97046850101, 97046860100, 97046860101



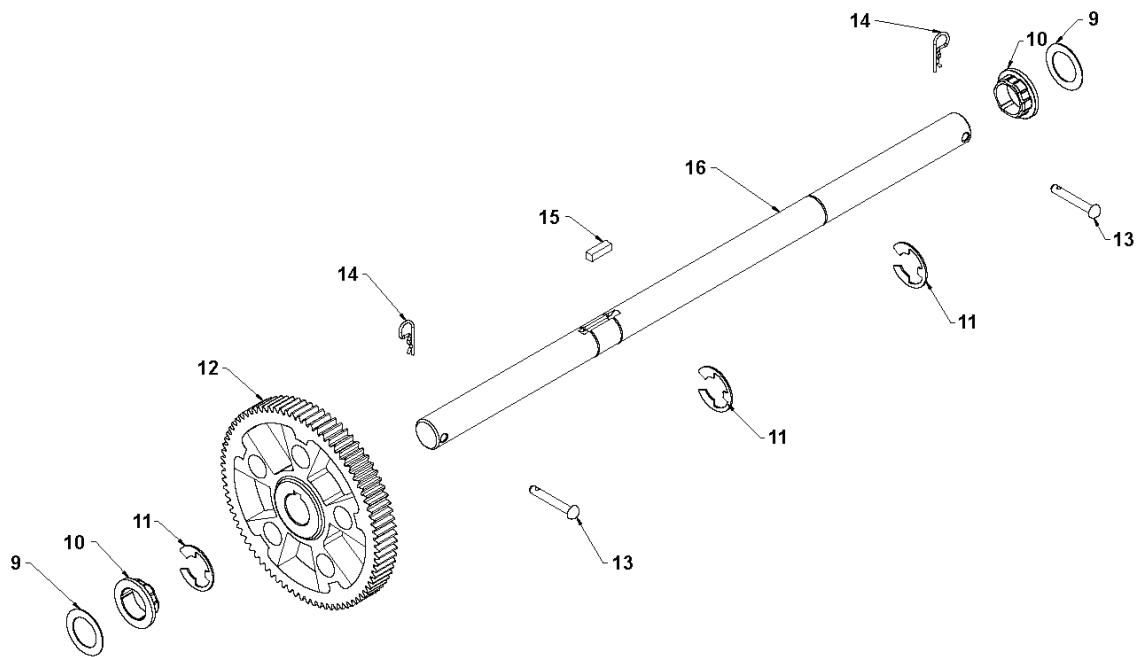
For 97046850100, 97046850101, 97046860100, 97046860101



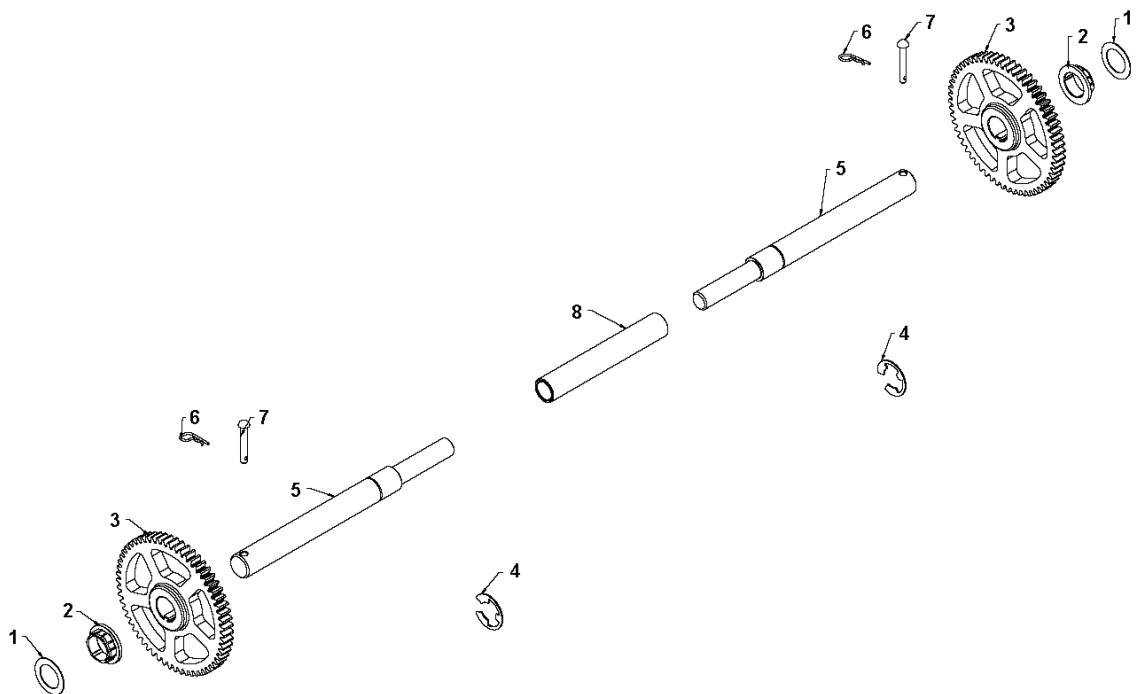
REF.	ART. NR	ARTIKELBESKRIVNING	ANMÄRKNING	KIT
1	521991101	MUTTER	For 97046850100	1
1	521991102	MUTTER	For 96191008705. 96193009606	1
2	531447002	PLATTA	For 97046850101. 97046860101	1
2	587703402	PLATTA	For 97046850100. 97046850101. 97046860100	1
3	581123002	STÅNG	For 96191008705. 96193009606	1
3	581123001	STÅNG	For 97046850100	1
4	581732701	DISTANSBRICKA	For 97046850100. 97046850101. 97046860101	1
4	595841101	FLÄNSRING	For 97046860100	1
5	532193885	FJÄDER		1
6	595841101	FLÄNSRING	For 97046860100	1
7	581328401	PULLEY ASSY	For 97046850101. 97046860100	1
7	581328402	PULLEY ASSY	For 97046850100. 97046850101. 97046860101	1
8	581454203	FÄSTE		1
9	581315301	FJÄDER	For 97046850101. 97046860100. 97046860101	1
9	589262203	REMSKIVA	For 97046850100	1
10	585263801	FJÄDER		1
11	585691501	MUTTER		1
12	580756201	LAGER		1
13	580756102	RING	For 97046850100. 97046860100	1
14	580751301	BRICKA		1
15	580756601	MEDBRINGARHAKE		1
16	580756001	VÄXEL		1
17	580756301	BRICKA		1
18	532175344	LAGER	For 97046850100. 97046860100	1
18	597412801	LAGERHUS KPL	For 96191008705. 96193009606	1
19	588069201	NAV KPL		1
20	539109100	BULT		1
21	581091002	PLATTA		1
22	581091101	RING	For 97046850100. 97046850101. 97046860100	1
22	597362801	RING	For 97046850101. 97046860101	1
23	586644301	KLÄMMA		1
24	580755101	STÅNG		1
25	812000022	FLÄNSRING		1
26	580752401	AXEL	For 97046850100. 97046860100	1
26	596670901	AXEL	For 97046850101. 97046860101	1
27	532751153	MUTTER		1
28	580756701	MEDBRINGARHAKE		1
29	595517701	SCREW	For 97046850101. 97046860101	1
30	580756102	RING	For 97046850100. 97046860100	1
31	585691501	MUTTER		1
32	580756201	LAGER		1
33	532175344	LAGER	For 97046850100. 97046860100	1
33	597412801	LAGERHUS KPL	For 96191008705. 96193009606	1
34	872110506	BULT		1
35	581090901	NAV		1
36	581091002	PLATTA		1
37	812000022	FLÄNSRING		1
38	581121901	AXEL		1
39	580756102	RING	For 97046850100. 97046860100	1
40	581091101	RING	For 97046850100. 97046850101. 97046860100	1
41	532751153	MUTTER		1
42	595841101	FLÄNSRING	For 97046860100	1
43	581732701	DISTANSBRICKA	For 97046850100. 97046850101. 97046860101	1

REF.	ART. NR	ARTIKELBESKRIVNING	ANMÄRKNING	KIT
44	581315301	FJÄDER	For 97046850101. 97046860100. 97046860101	1
45	581454203	FÄSTE		1
46	581328401	PULLEY ASSY	For 97046850101. 97046860100	1
47	581123002	STÅNG	For 96191008705. 96193009606	1
47	581123001	STÅNG	For 97046850100	1
48	587703402	PLATTA	For 97046850100. 97046850101. 97046860100	1
48	581446903	PLATTA	For 96191008700. 96193009601	1
49	532193885	FJÄDER		1
50	521991101	MUTTER	For 97046850100	1
50	521991102	MUTTER	For 96191008705. 96193009606	1

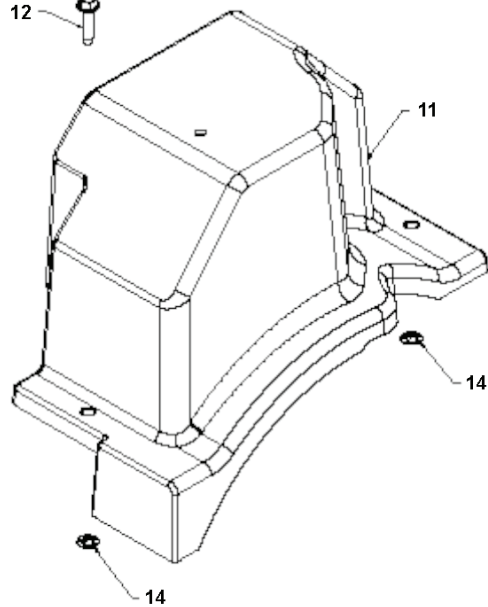
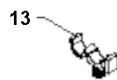
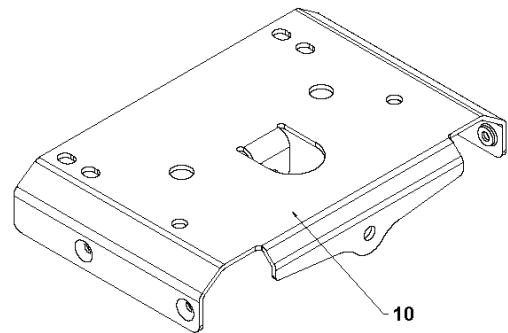
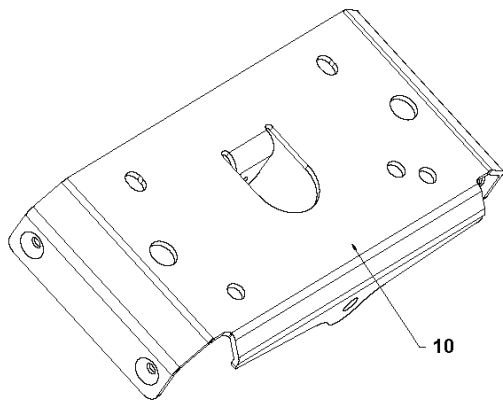
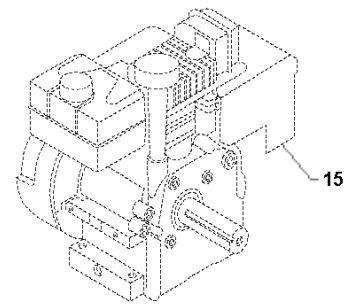
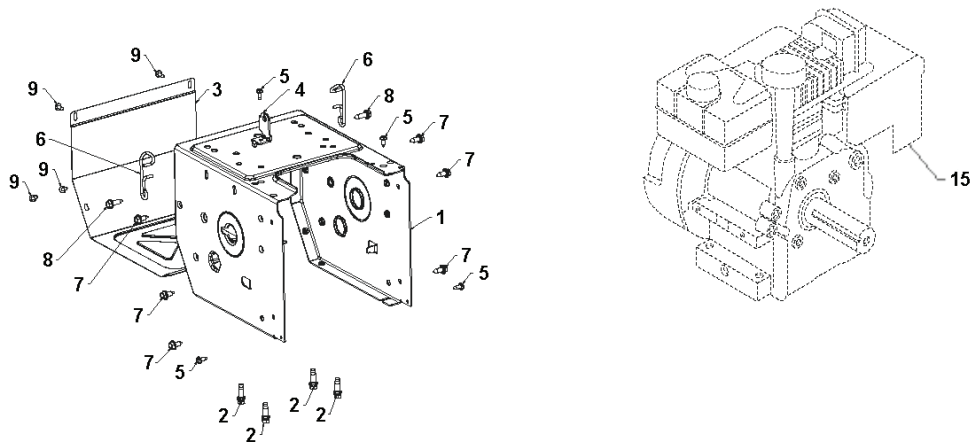
For all EXCEPT 96191008700, 97046850100, 97046850101, 97046860100, 97046860101



For 96191008700, 97046850100, 97046850101, 97046860100, 97046860101



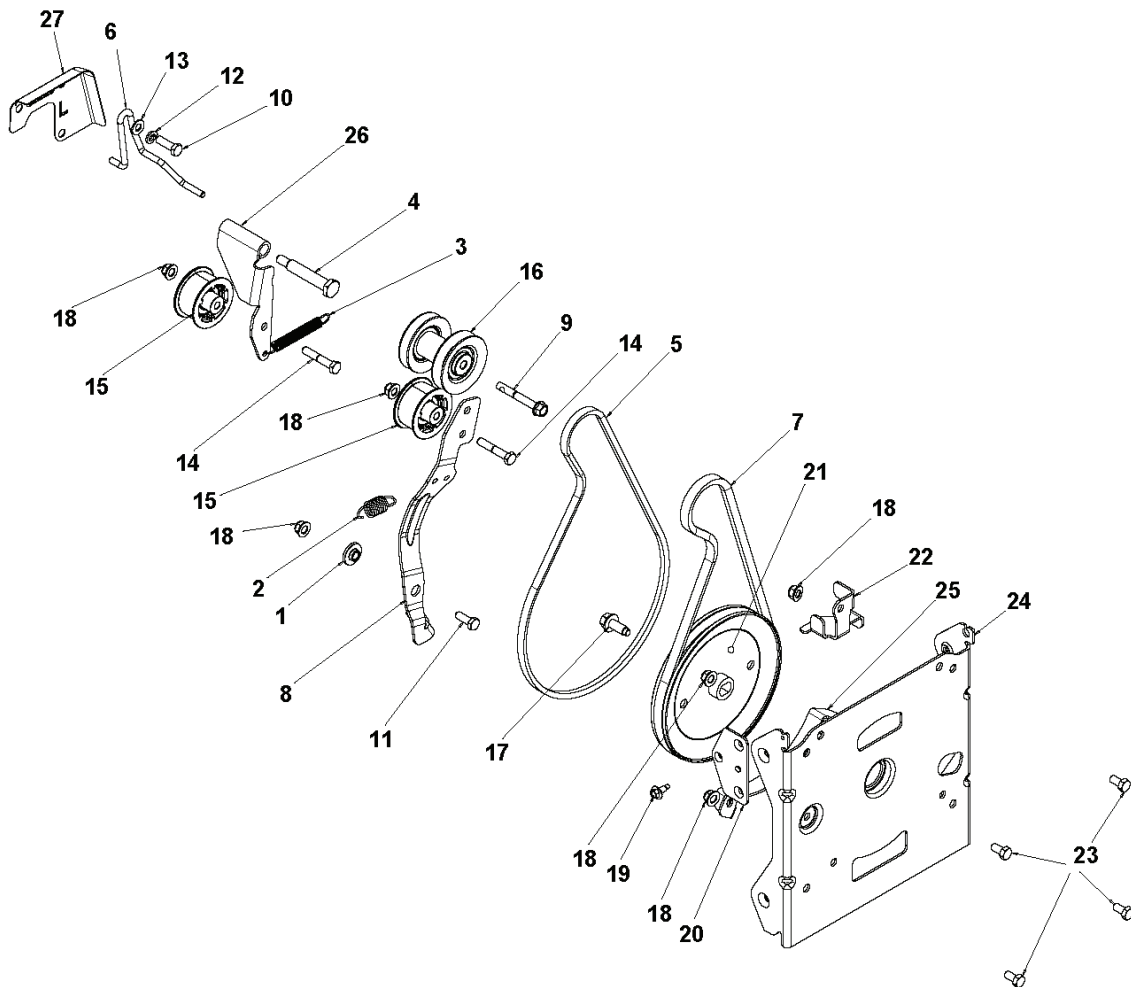
REF.	ART. NR	ARTIKELBESKRIVNING	ANMÄRKNING	KIT
1	532444949	BRICKA		1
2	581122301	BUSHING	For 96191008700	1
2	587978901	BUSHING	For 97046850100, 97046850101, 97046860100, 97046860101	1
3	581122202	VÄXEL	For 96191008700	1
3	588518601	VÄXEL	For 97046850100, 97046850101, 97046860100, 97046860101	1
4	812000053	SPÄRRYTARE		1
5	580752601	AXEL		1
6	532004497	KLÄMMA		1
7	532126875	NIT		1
8	580752501	HYLSA		1
9	532444949	BRICKA		1
10	581122301	BUSHING	For 96191008700	1
10	587978901	BUSHING	For 97046850100, 97046850101, 97046860100, 97046860101	1
11	812000053	SPÄRRYTARE		1
12	581122202	VÄXEL	For 96191008700	1
12	588518702	VÄXEL	For all EXCEPT 96191008700, 96193009601, 97046850100, 97046850101, 97046860100, 97046860101	1
13	532171271	NIT		1
14	532124788	FLÄNSRING		1
15	532189282	TANGENT		1
16	581122001	AXEL		1



REF.	ART. NR	ARTIKELBESKRIVNING	ANMÄRKNING	KIT
1	580839405	RAM	For all EXCEPT 96193009605, 96191008705, 97046850101, 97046860101	1
1	589264705	RAM	For 96193009605, 96191008705, 97046850101, 97046860101	1
2	532150406	BULT		1
3	580839505	KÅPA	For all EXCEPT 96193009604	1
3	580839507	KÅPA	For 96193009604	1
4	501060403	FÄSTE		1
5	817060410	SCREW	For 96191008700, 96193009601, 96191008701, 96193009602	1
5	582906901	SCREW	For all EXCEPT 96191008700, 96193009601, 96191008701, 96193009602, 96191008702, 96193009603	1
6	588954501	STÖD		1
7	532428867	BULT		1
8	593337201	SCREW	For 96193009606, 97046850100, 97046850101, 97046860100, 97046860101	1
8	585217501	SCREW	For all EXCEPT 96193009606, 97046850100, 97046850101, 97046860100, 97046860101	1
9	817060410	SCREW	For 96191008700, 96193009601, 96191008701, 96193009602	1
9	582906901	SCREW	For all EXCEPT 96191008700, 96193009601, 96191008701, 96193009602, 96191008702, 96193009603	1
9	817060408	SCREW	For 96191008702, 96193009603	1
10	585546002	FÄSTE	For 96191008701, 96191008702, 96191008703	1
10	583940502	FÄSTE	For all EXCEPT 96191008701, 96191008702, 96191008703	1
11	581049901	KÅPA	For 96191008700, 96193009601	1
11	587105401	KÅPA	For all EXCEPT 96191008700, 96193009601	1
12	585691101	SCREW		1
13	532145006	KLÄMMA		1
14	532423062	MUTTER		1
15	598609603	MOTOR	For 97052860200 (See Husqvarna Engine IPL for service parts)	1
15	580426004	MOTOR	For 9619008700,9619100 8701,96191008702,9619 1008703,96191008704 (See LCT Engines IPL for service parts)	1
15	590218604	MOTOR	For 96191008705 (See LCT Engine IPL for service parts)	1
15	590218603	MOTOR	For 96193009605, 96193009606, 97046850100, 97046850101 (See LCT Engine IPL for service parts)	1
15	590218605	MOTOR	For EU, 97046860100, 97046860101	1

REF.	ART. NR	ARTIKELBESKRIVNING	ANMÄRKNING	KIT
15	598609604	MOTOR	For 97052860100(See Husqvarna Engine IPL For Service Parts)	1

FOR 97052860100



REF.	ART. NR	ARTIKELBESKRIVNING	ANMÄRKNING	KIT
1	587343701	BUSHING		1
2	587031201	FJÄDER		1
3	580753001	FJÄDER		1
4	581413801	BULT		1
5	582640701	REM		1
6	598644401	STYRNING		1
7	501818201	REM		1
8	580831106	FÄSTE		1
9	598758701	BULT		1
10	874610516	SCREW		1
11	596322201	BULT		1
12	596238801	BRICKA		1
13	596204101	BRICKA		1
14	874760528	BULT		2
15	581141402	REMSKIVA		2
16	598815602	REMSKIVA		1
17	595517901	SCREW		1
18	594944401	MUTTER		7
19	585517801	SCREW		1
20	590044602	FÄSTE		1
21	590699201	REMSKIVA		1
21	536862701	REMSKIVA	for 970528601.970528602	1
22	587587202	STYRNING		1
23	596031601	SCREW		4
24	581592502	FÄSTE		1
25	581632002	FÄSTE		1
26	593192502	ARM		1
27	598711902	KÅPA		1